

# MUS-SERIES 8 CHANNEL PRESSURE SCANNER SYSTEM

SurreySensors

Ultraminiature, low-cost pressure scanner system. Ideal for use in UAV and motorsport applications or in model integration for wind tunnel use.

- Direct-to-digital pressure transducers each factory-calibrated and locally temperature compensated
- Compact, in-line package: less than 10 mm wide
- 64-channel configuration also available
- Tubulations suitable for 1 mm ID silicone hose



*MUS*

## Specification

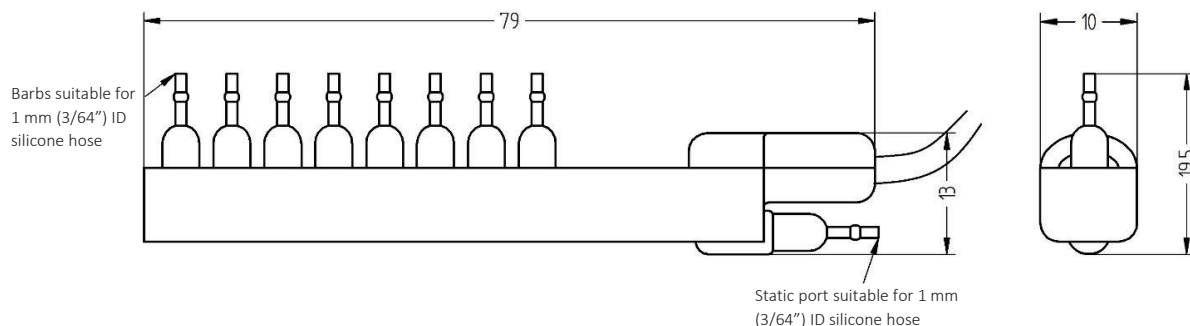
| Connection                                      | USB                                   | CAN2B comms module     |
|---|---------------------------------------|------------------------|
| Pressure range                                  | ± 6.9 kPa FS                          |                        |
| Maximum overpressure                            | 34 kPa                                |                        |
| Sensor repeatability <sup>1</sup>               | ± 0.024 % FS                          |                        |
| Sensor accuracy <sup>2</sup> , inc. calibration | ± 0.25 % FS                           |                        |
| Total error band after auto-zero <sup>3</sup>   | ± 1.25 % FS                           |                        |
| Operational mode                                | Differential                          |                        |
| Operating temperature range                     | -40° to +85° C non-condensing         |                        |
| Compensated temperature range                   | 0° to +50° C non-condensing           |                        |
| Storage temperature range                       | -40° to +85° C                        |                        |
| Vibration                                       | Sensors rated to 10 g, 10 Hz to 2 kHz |                        |
| Shock   | 50 g, 6 ms duration                   |                        |
| Maximum relative humidity                       | 95 %                                  |                        |
| Communications interface                        | USB via connector                     | CAN2B via comms module |
| Power   | 95 mW                                 | 324 mW (whole system)  |
| Data acquisition rate                           | 160 Hz max. Simultaneous sampling.    |                        |
| Digital resolution                              | 24-bit                                | 16-bit                 |

<sup>1</sup>Includes errors due to pressure non-linearity, pressure hysteresis and non-repeatability.

<sup>2</sup>Includes errors due to pressure non-linearity, pressure hysteresis, non-repeatability and calibration uncertainty.

<sup>3</sup>Total residual error after auto-zero, excluding residual temperature sensitivity.

## Dimensions



The content of this datasheet is for general information only and is subject to change without notice. It may contain inaccuracies or errors and Surrey Sensors Ltd. expressly exclude liability for any such inaccuracies or errors to the fullest extent permitted by law. Your use of any information is entirely at your own risk, for which Surrey Sensors Ltd. shall not be liable.

© Surrey Sensors Ltd. (2021)  
www.surreysensors.com

DS-MUS8-092021-1.2