

## Short description Torque Transducer TTF01-P

The TEQFORT GmbH develop, produce and marketed on strain gauge based sensors for force and torque measuring as well as the required electronic. The name TEQFORT represent for - Test Equipment Force Torque - and for quality at high and highest precision.

The torque transducer of the model range TTF01-P is the premium version of the TTF01 series and very qualified for all static und dynamic application in the not rotating area. At this, the industrial use is as considered as that one in the proving and test technology. Measuring tasks, where robust behaviour against disturbance is required, the sensor is particularly suitable for.



- Nominal load 100 Nm – 32 kNm
- For static and dynamic application
- Accuracy 0,05 %
- Fatigue resistant  $\pm 100$  %
- Easy mounting due to flange and additional threaded pitch circle
- Reserve against overload, eccentric and bending loads

### Technical Data

TTF01-P			
Accuracy		%	$\pm 0,05$
Linearity error	$d_{lin}$	%	$\pm 0,05$
Hysteresis	$h$	%	$\pm 0,05$
Reversibility error	$v$	%	$\pm 0,2$
Reproducibility		%	$\pm 0,005$
Creep		%	$\pm 0,025$
Lateral force effect		%/kN	$1 \cdot 10^{-2} - 7 \cdot 10^{-3}$
Bending moment effect		%/Nm	$6,25 \cdot 10^{-7} - 2 \cdot 10^{-4}$
Temperature effect on characteristic value	$TK_C$	%	0,04
Temperature effect on zero signal	$TK_0$	%/10K	0,025
Rated characteristic value	$C_{nom}$	mV/V	1,6
Input resistance	$R_e$	$\Omega$	approx. 1000
Range of supply voltage	$B_{U,G}$	V	5 - 15
Protection class (EN 60529)		IP	67

### Options

Measuring circuit for bending moments  $M_x, M_y$

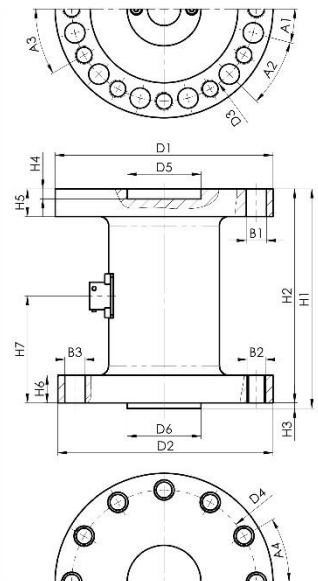
Second measuring circuit for redundancy

Fixed wire connection

Angled fixed or plug connection

individual adapters for mounting

Nominal load	$\pm M_{nom}$	Nm	100 200	500 1000	2000	4000 5000	8000 10000	16000 20000	25000 32000
Height	H1	mm	119	129	143	173	203	243	
Height	H2	mm	116	126	140	170	200	240	
Height	H3	mm	3						
Height	H4	mm	5,5		4,5	7,5			
Height	H5/H6	mm	15	14	18				
Height	H7	mm	40	61	73	58	74	108	
Diameter	D1/D2	mm	118	146	186	235	286	360	
Diameter	D3/D4	mm	100 $\pm 0,1$		125 $\pm 0,1$	160 $\pm 0,1$	200 $\pm 0,1$	250 $\pm 0,1$	315 $\pm 0,1$
Diameter	D5/D6	mm	40H7				70H7		
Bore	B1/B3	mm	11	14	18	22		26	
Bore	B2		M10	M12	M16	M20		M24	
Angle	A1		15°				11,25°		
Angle	A2		30°				22,5°		
Angle	A3		30°				22,5°		
Angle	A4		30°				22,5°		
Weight	$m$	kg	3	5	10	15	25	40	



TEQFORT GmbH · Heinrich-Hertz-Str. 29 · D-40699 Erkrath  
Tel. +49 211 542468 0 · Fax +49 211 542468 10  
www.teqfort.de · info@teqfort.de

Subject to change without notice. All information describes our products in general form. They do not possess any characteristics within the meaning of § 434 BGB (German civil code).