

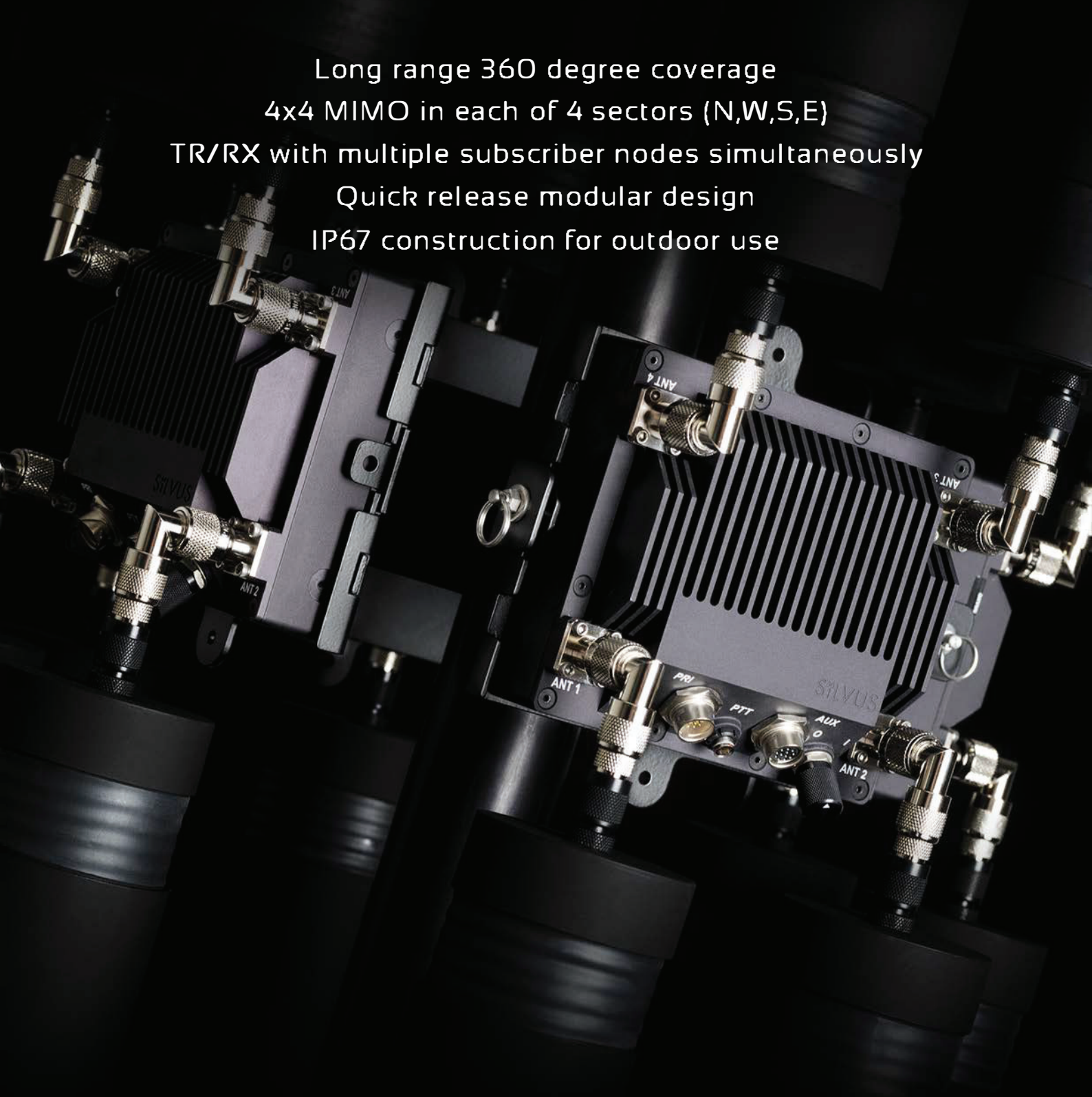
SILVUS^(••)

TECHNOLOGIES

HYDRA

MIMO CENTRAL TRANSCEIVER ARRAY

Long range 360 degree coverage
4x4 MIMO in each of 4 sectors (N,W,S,E)
TR/RX with multiple subscriber nodes simultaneously
Quick release modular design
IP67 construction for outdoor use



HYDRA

MIMO CENTRAL TRANSCEIVER ARRAY

Hydra incorporates 4 x StreamCaster 4400 radios and 16 x compact sector antennas to create a high-power / high-gain transceiver for long range applications

Applications

Manned/unmanned aircraft groundstations

Citywide mesh networks

Border security

Tactical communications infrastructure

Specifications

TX power	8W power output per sector (32W effective, thanks to TX beamforming)
Waveform	MN-MIMO (compatible with all StreamCaster radios)
Antenna beam pattern	360 degrees azimuth x 18 degrees vertical (uplook optional)
Frequency bands	2200-2500MHz (freq code 235) 4400-4940MHz (freq code 467)
Weight	235 model - 33 lbs 467 model - 19 lbs
Dimensions	235 model - 43in (height) x 16.2in (diameter) 467 model - 29in (height) x 15in (diameter)



SILVUS
TECHNOLOGIES

www.silvustechnologies.com

**Instrumentation
Devices**

Instrumentation Devices Srl
Via Acquanera 29 - 22100 COMO (Italy)
ph +39 031 525 391- fax +39 031 507 984
info@instrumentation.it - www.instrumentation.it