

Position Sensors Ltd  
Unit 6, Holloways  
Bessemer Close,  
Ebble Industrial Estate  
Verwood BH31 6AZ UK  
Tel: +44 (0)1202 064834  
Fax: +44 (0)1202 798614



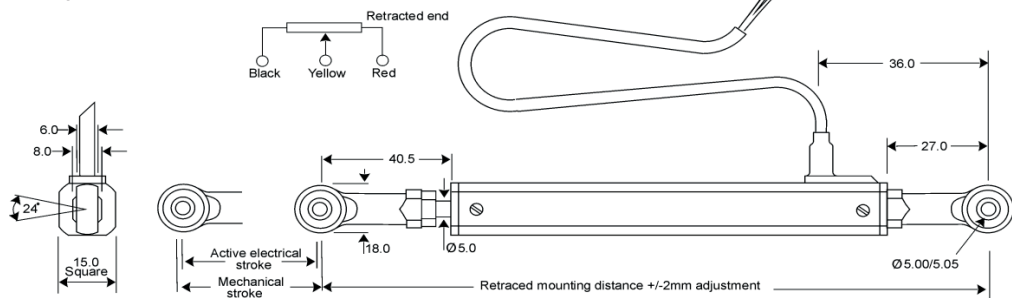
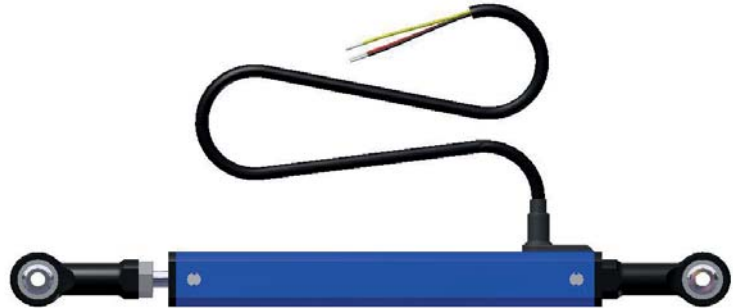
## New shaft seal lip seal for 2017

If your application requires a low force to move the shaft please add LF to the product code

## PS-C15 Linear Potentiometer

- Rugged Construction
- Excellent Linearity
- Sealed To IP65
- Long Life

The PS-C15 series of Linear Potentiometers are designed to provide linear measurement solutions for a variety of applications. Using proven 'conductive plastic' technology, the sensors offer high performance and reliability.



| PS-C15- Electrical Stroke (mm)    | 25  | 50  | 75  | 100 | 150 | 200 | 250 |
|-----------------------------------|---|-----|-----|-----|-----|-----|-----|
| Retracted Mounting Distance (mm)* | 173   | 198 | 223 | 248 | 298 | 351 | 401 |
| Resistance (KΩ) +/-20%            | 2.5   | 5   | 7.5 | 10  | 10  | 10  | 10  |
| Maximum Supply Voltage            | 40VDC   |     |     |     |     |     |     |
| Resolution                        | Essentially Infinite                                  |     |     |     |     |     |     |
| Repeatability                     | ≤0.01mm   |     |     |     |     |     |     |
| Operational Speed                 | 10 M/s max  |     |     |     |     |     |     |
| Mechanical Life                   | > 25 Million Cycles                                   |     |     |     |     |     |     |
| Temperature Range                 | -40 to +100°C   |     |     |     |     |     |     |
| Environmental Sealing             | IP65  |     |     |     |     |     |     |
| Recommended Wiper Current         | < 10µA  |     |     |     |     |     |     |
| Independent Linearity*            | ± +/- 0.5%  |     |     |     |     |     |     |
| Cable Type*                       | Raychem 55A, 24 AWG, & FDR Extruded Sleeve            |     |     |     |     |     |     |
| Cable Length*                     | 500mm   |     |     |     |     |     |     |
| Track Technology                  | Conductive Plastic                                    |     |     |     |     |     |     |
| Housing Material                  | Aluminium   |     |     |     |     |     |     |
| Mechanical Fixing                 | 2 x Spherical Bearing, Alloy Body. Mounting Hole Ø5mm |     |     |     |     |     |     |

\*Custom options are available on request. Specifications are subject to change, without notice.

Warranty: The PS-C15 series are backed by a 1 year warranty. The user is responsible for correct installation and application suitability.

[www.position-sensors.co.uk](http://www.position-sensors.co.uk)

[sales@position-sensors.co.uk](mailto:sales@position-sensors.co.uk)

Questi prodotti sono distribuiti e supportati in Italia da:



Instrumentation Devices Srl

Via Acquanera 29 - 22100 COMO (Italy)

ph +39 031 525 391- fax +39 031 507 984

info@instrumentation.it - [www.instrumentation.it](http://www.instrumentation.it)

Position Sensors Ltd  
 Unit 6, Holloways  
 Bessemer Close,  
 Ebblake Industrial Estate  
 Verwood BH31 6AZ UK  
 Tel: +44 (0)1202 064834  
 Fax: +44 (0)1202 798614



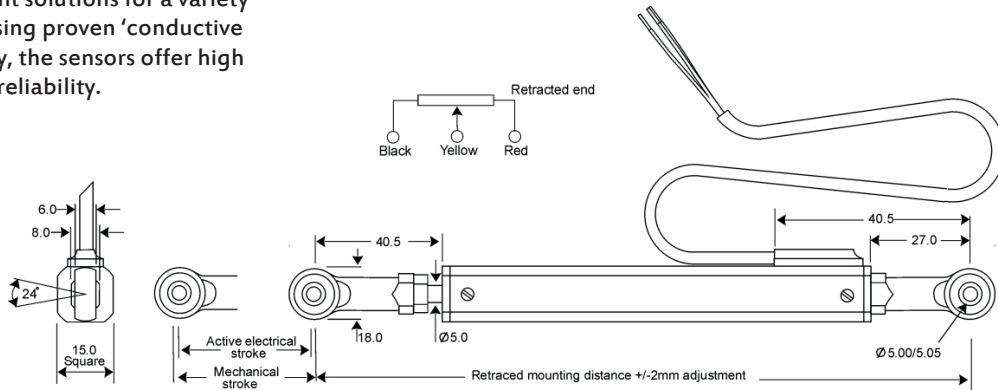
## PS-C15M Linear Potentiometer

### New shaft seal lip seal for 2017

If your application requires a low force to move the shaft please add LF to the product code

- Rugged Construction
- Excellent Linearity
- Sealed To IP65
- Long Life

The PS-C15 series of Linear Potentiometers are designed to provide linear measurement solutions for a variety of applications. Using proven 'conductive plastic' technology, the sensors offer high performance and reliability.



| PS-C15M- Electrical Stroke (mm)   | 25  | 50  | 75  | 100 | 150 | 200 | 250 |
|-----------------------------------|---|-----|-----|-----|-----|-----|-----|
| Retracted Mounting Distance (mm)* | 173   | 198 | 223 | 248 | 298 | 351 | 401 |
| Resistance (K $\Omega$ ) +/-20%   | 2.5   | 5   | 7.5 | 10  | 10  | 10  | 10  |
| Maximum Supply Voltage            | 40VDC   |     |     |     |     |     |     |
| Resolution                        | Essentially Infinite  |     |     |     |     |     |     |
| Repeatability                     | $\leq 0.01$ mm  |     |     |     |     |     |     |
| Operational Speed                 | 10 M/s max  |     |     |     |     |     |     |
| Mechanical Life                   | > 25 Million Cycles   |     |     |     |     |     |     |
| Temperature Range                 | -40 to +125°C   |     |     |     |     |     |     |
| Environmental Sealing             | IP65  |     |     |     |     |     |     |
| Recommended Wiper Current         | < 10 $\mu$ A  |     |     |     |     |     |     |
| Independent Linearity*            | $\leq \pm 0.5\%$  |     |     |     |     |     |     |
| Cable Type*                       | Raychem 55A, 24AWG, & FDR Extruded Sleeve                           |     |     |     |     |     |     |
| Cable Length*                     | 500mm   |     |     |     |     |     |     |
| Track Technology                  | Conductive Plastic  |     |     |     |     |     |     |
| Housing Material                  | Aluminium   |     |     |     |     |     |     |
| Mechanical Fixing                 | 2 x Spherical Bearing, Alloy Body. Mounting Hole $\varnothing 5$ mm |     |     |     |     |     |     |

\*Custom options are available on request. Specifications are subject to change, without notice.

Warranty: The PS-C15M is backed by a 1 year warranty. The user is responsible for correct installation and application suitability.

Position Sensors Ltd  
 Unit 6, Holloways  
 Bessemer Close,  
 Ebblake Industrial Estate  
 Verwood BH31 6AZ UK  
 Tel: +44 (0)1202 064834  
 Fax: +44 (0)1202 798614



## PS-C15MP Linear Potentiometer

### New shaft seal lip seal for 2017

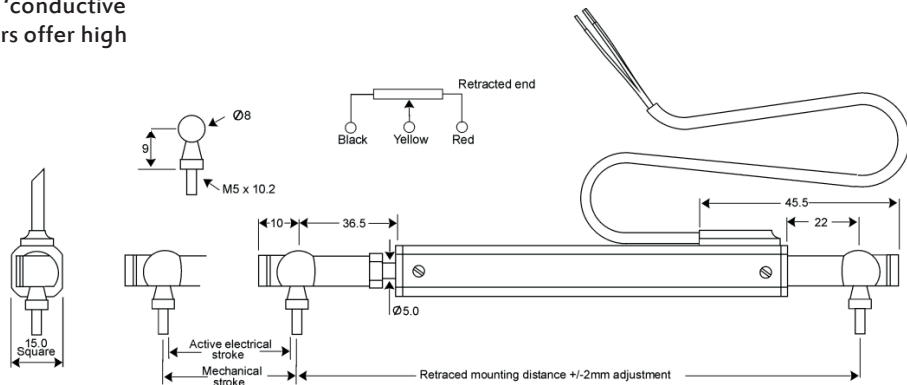
If your application requires a low force to move the shaft please add LF to the product code

- Rugged Construction
- Excellent Linearity
- Sealed To IP65
- Long Life

The PS-C15 series of Linear Potentiometers are designed to provide linear measurement solutions for a variety of applications. Using proven 'conductive plastic' technology, the sensors offer high performance and reliability.



\* Pop Joints\*



| PS-C15MP- Electrical Stroke (mm)  | 25  | 50  | 75  | 100 | 150 | 200 | 250 |
|-----------------------------------|---|-----|-----|-----|-----|-----|-----|
| Retracted Mounting Distance (mm)* | 165   | 190 | 215 | 240 | 290 | 340 | 390 |
| Resistance (K $\Omega$ ) +/-20%   | 2.5   | 5   | 7.5 | 10  | 10  | 10  | 10  |
| Maximum Supply Voltage            | 40VDC   |     |     |     |     |     |     |
| Resolution                        | Essentially Infinite  |     |     |     |     |     |     |
| Repeatability                     | $\leq 0.01$ mm  |     |     |     |     |     |     |
| Operational Speed                 | 10 M/s max  |     |     |     |     |     |     |
| Mechanical Life                   | > 25 Million Cycles   |     |     |     |     |     |     |
| Temperature Range                 | -40 to +125 $^{\circ}$ C                                      |     |     |     |     |     |     |
| Environmental Sealing             | IP65  |     |     |     |     |     |     |
| Recommended Wiper Current         | < 10 $\mu$ A  |     |     |     |     |     |     |
| Independent Linearity*            | $\leq \pm 0.5\%$  |     |     |     |     |     |     |
| Cable Type*                       | Raychem 55A, 24AWG, & FDR Extruded Sleeve                     |     |     |     |     |     |     |
| Cable Length*                     | 500mm   |     |     |     |     |     |     |
| Track Technology                  | Conductive Plastic  |     |     |     |     |     |     |
| Housing Material                  | Aluminium   |     |     |     |     |     |     |
| Mechanical Fixing                 | Pop Joints ( 2 x mating Ball Pins supplied with each sensor ) |     |     |     |     |     |     |

\*Custom options are available on request. Specifications are subject to change, without notice.

Warranty: The PS-C15MP is backed by a 1 year warranty. The user is responsible for correct installation and application suitability.