

KM16z 5kN, 10kN, 20kN, 50kN



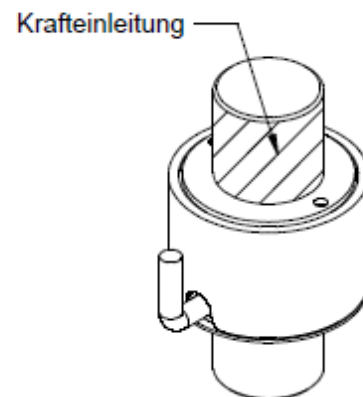
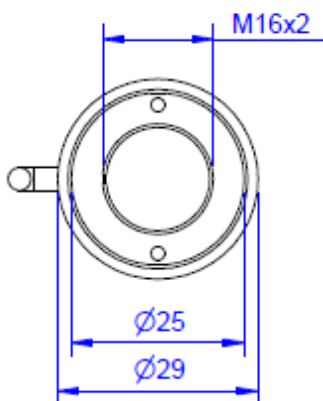
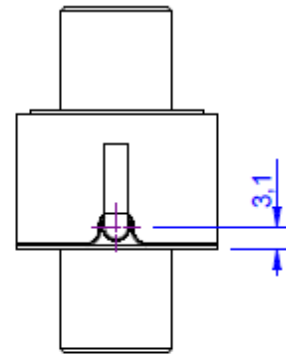
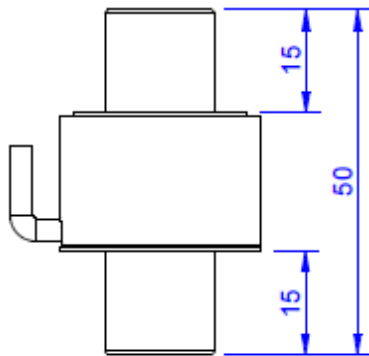
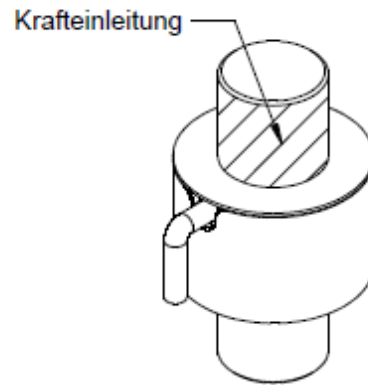
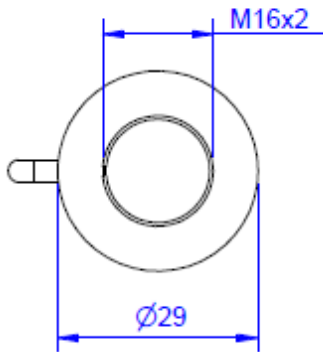
Description

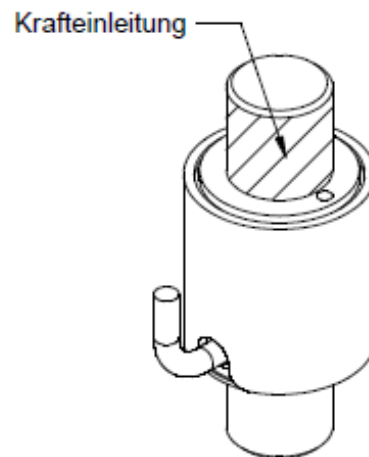
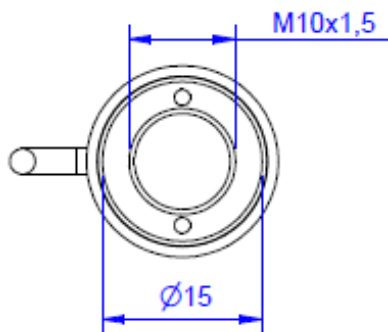
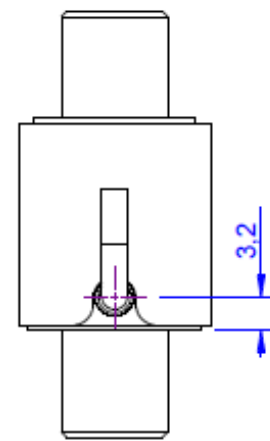
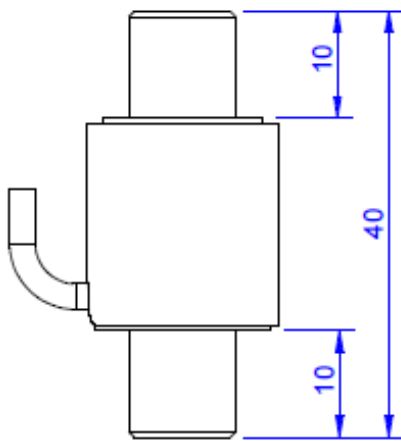
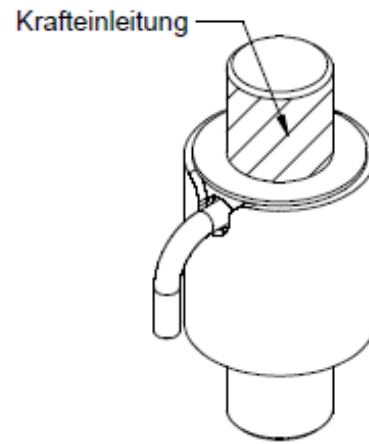
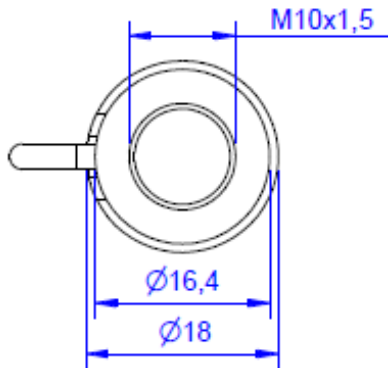
The force sensor KM16z is a sensor with minimal dimensions, which is used to measure tensile and compressive forces.

For the application of force two threads are provided.

The protection class is IP 67. The load must be free of transverse forces and bending moments.

Dimensions







Technical Data

Kraftsensoren

Type	Force sensor
Force introduction	Außengewinde
Sensor Fastening	Außengewinde
Operating force	150 %FS
Rated displacement	0.06 mm
Material	Stainless steel

Elektrische Daten

Input resistance	390 Ohm
Tolerance input resistance	40 ±
Output resistance	350 Ohm
Insulation resistance	2x10 ⁹ Ohm
Rated range of excitation voltage f	2.5 ... 5 V
Operating range of excitation voltage f	1 ... 10 V
Zero signal	0.05 mV/V
Rated output	1 mV/V / FS

Precision

Accuracy class	1%
Relative linearity error	0.1 %FS
Relative zero signal hysteresis	0.05 %FS
Temperature effect on zero signal	0.02 %FS/K
Temperature effect on characteristic value	0.02 %RD/K
Relative creep	0.1 %FS

Connection Data

Connection type	4 conductor open
Name of the connection	STC-31V-4
Cable length	3 m

Temperature

Rated temperature range f	-10 ... 70 °C
Operating temperature range f	-10 ... 85 °C
Storage temperature range f	-10 ... 85 °C



Abbreviation: RD: „Reading“; FS: „Full Scale“;

1) The exact nominal sensitivity is indicated in the test report;






Pin Configuration

Channel	Symbol	Description	Wire colour	PIN
	+Us	positive bridge supply	brown	
	-Us	negative bridge supply	white	
	+Ud	positive bridge output	green	
	-Ud	negative bridge output	yellow	

Screen - transparent.

Pressure load : positive output signal

accessories

Description Description	
	Calibration Certificate kn/20/5 Factory calibration certificate for force to 20 kN in accordance with DIN EN ISO / IEC 17025 for test materials monitoring according to DIN ISO 9001: 2008 with 5 load levels and 3 series of measurements.
	Calibration Certificate kn/200/5 Factory calibration certificate for force to 200 kN in accordance with DIN EN ISO / IEC 17025 for test materials monitoring according to DIN ISO 9001: 2008 with 5 load levels and 3 series of measurements.
	Ringmutter Ring nut for sensors with external thread KM16z, KM26z, KM30z