

The MTN/ECPD/85 unit together with the MTN/EP series Eddy current Probe is a three wire, non-contact measurement system designed to monitor axial displacement of a rotating shaft. The driver is powered from a 24V dc supply and provides a 4-20mA signal Proportional to the gap between the probe and shaft. The system is calibrated in house using a flat, low carbon steel grade SEA4140 target to give a linear output.

Applications

- Building Services
- Pumps
- Turbines
- Direct PLC Interface

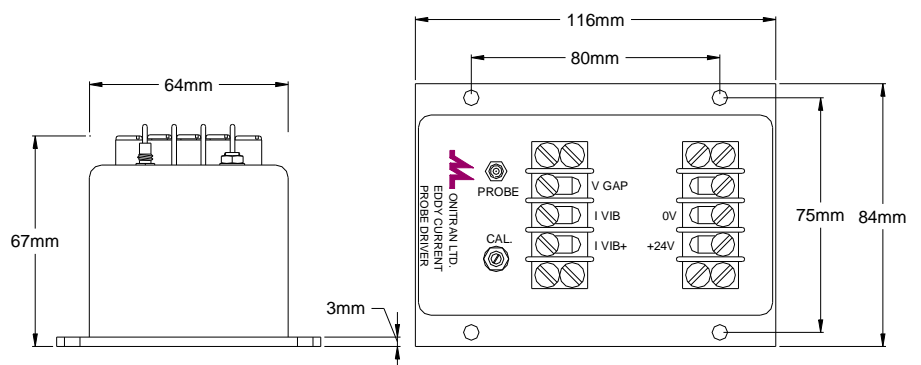
MTN/ECPD/85



Technical Specification

Measurement Range	MTN/EP080 - 0.1mm to 2mm
	MTN/EP200 - 0.25mm to 5mm
	MTN/EP340 - 0.4mm to 8.5 mm
	MTN/EP480 - 0.6 mm to 12mm
Current output	4-20mA via screw terminals, set to equal Measurement range
Power Supply	+24V @ 80 mA max
Voltage Output Sensitivity	(dependent upon probe)
	MTN/EP080 – 8 Volts/mm
	MTN/EP200 – 3.6Volts/mm
	MTN/EP340 – 2.0 Volts/mm
	MTN/EP480 – 1.5Volts/mm
Max. Loop Resistance	Rmax =800Ω
Linearity	±1% of full scale
Frequency Range	AC Vibration (5Hz – 1kHz)
Operating Temperature	-20°C to 80°C
Connectors	Probe – SMC miniature coaxial connector Power/outputs – M4 screw terminals
Weight	450g

Dimensions



System Connection

