

The MTN/ECPD/60 unit together with the MTN/EP series Eddy current Probe is a three wire, non-contact measurement system designed to monitor radial vibration of a rotating shaft. The driver is powered from a 24V dc supply and provides a 4-20mA signal Proportional to the amplitude of the vibration. The system is calibrated in house using a flat, low carbon steel grade SAE4140 target To give a linear output.

Applications

- Building Services
- Pumps
- Turbines
- Direct PLC Interface

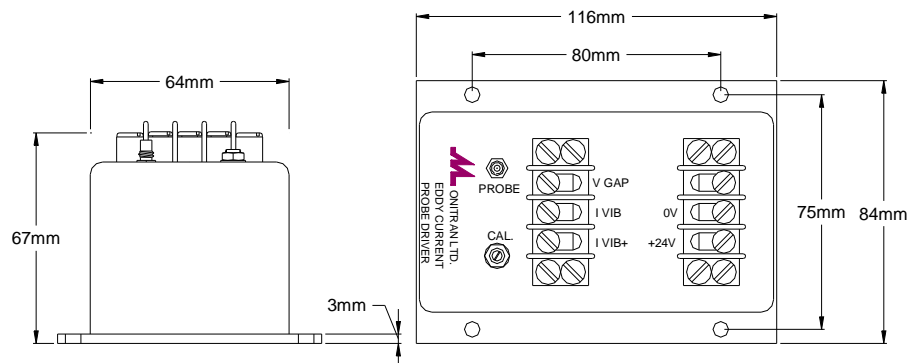
MTN/ECPD/60



Technical Specification

Measurement Range	Using MTN/EP080 0 to 125 μ m peak to peak
Power Supply	+24V @ 80 mA max
Voltage Output	(dependent upon probe) MTN/EP080 – 8 Volts/mm MTN/EP200 – 3.6Volts/mm MTN/EP340 – 2.0 Volts/mm MTN/EP480 – 1.5Volts/mm
Max. Loop Resistance	Rmax =800 Ω
Linearity	\pm 1% of full scale
Frequency Range	AC Vibration (5Hz – 1kHz)
Operating Temperature	-20°C to 80°C
Connectors	Probe – SMC miniature coaxial connector Power/outputs – M4 screw terminals
Weight	450g

Dimensions



Monitran Ltd | Monitor House | 33 Hazlemere Road | Penn | Bucks | UK | HP10 8AD

Telephone +44 (0)1494 816569 | E-mail info@monitran.com | Website www.monitran.com

We reserve the right to alter specifications without prior notice.



Instrumentation Devices Srl
 Via Acquanera 29 - 22100 COMO (Italy)
 ph +39 031 525 391- fax +39 031 507 984
info@instrumentation.it - www.instrumentation.it

System Connection

