



ID/ZX-PA SERIES - Analog Position Transducer

RATIOMETRIC VOLTAGE OUTPUT

With dimensions of .73 x .73 x .375, the **ID/ZX-PA Series** is the world's smallest stringpot. With a total measurement range of 1.5" (38 mm), a wide operating temperature range and long cycle life, the **ID/ZX-PA-1.5** is perfect for applications where space is at an absolute premium and maximum performance is required. A co-molded maximum life potentiometer is mounted into the anodized aluminum housing of the unit. The mounting holes in the housing allow mounting with two #2 or two 2 mm screws. Alternatively the unit may be mounted with two 4-40 screws that thread directly into the housing. The wire rope of the unit may be ordered with an eye fitting termination or with a length of leader wire rope, a clip, and several crimp fittings to hold the clip in place.



SPECIFICATIONS

GENERAL

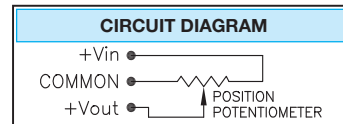
Measurement Range..... 1.5 inch (38 mm)
 Sensing Device Precision Co-Molded Potentiometer
 Resolution Essentially Infinite
 Linearity $\pm 1.0\%$ Full Scale
 Repeatability $\pm 0.03\%$ Full Scale
 Construction Anodized Aluminum Housing
 Wire Rope $\varnothing 0.018"$ (0.46 mm) Nylon Jacketed Stainless Steel
 Wire Rope Tension 4 oz (1.1 N)
 Weight 0.42 oz (12 gm)
 Electrical Connection 3 conductor cable, 18" (457mm) length
 Dynamic Response 25 Hz over full range extension
 Life 10,000,000 full stroke cycles

ENVIRONMENTAL

Operating Temperature -55°C to 100°C
 Storage Temperature -65°C to 100°C
 Vibration 15 G's 0.1 ms max.
 Shock 50 G's 0.1 ms max.
 Ingress Protection IP-40 (NEMA 1)

ELECTRICAL

Nominal Output 630 mV/in@ 1VDC Input Voltage^[1]
 24.8 mV/mm@ 1VDC Input Voltage^[1]
 Input Impedance $5000\ \Omega \pm 10\%$
 Output Impedance 0 to $5000\ \Omega$
 Excitation Voltage 30 VDC Max.



FOOTNOTES TO SPECIFICATIONS

1. For nominal output in application, multiply value shown by actual excitation voltage.

MODEL NUMBER CONFIGURATION

ZX-PA-1.5-

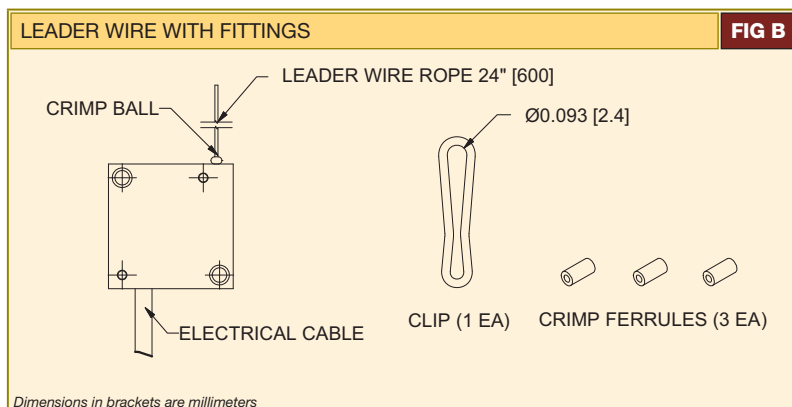
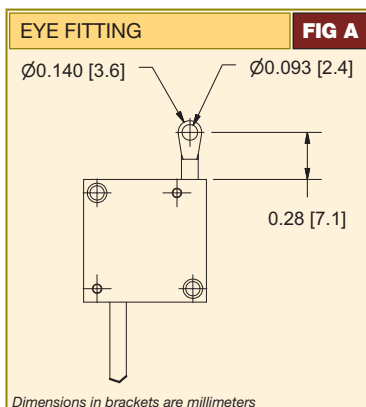


BASIC CONFIGURATION

ID/ZX-PA-1.5-A

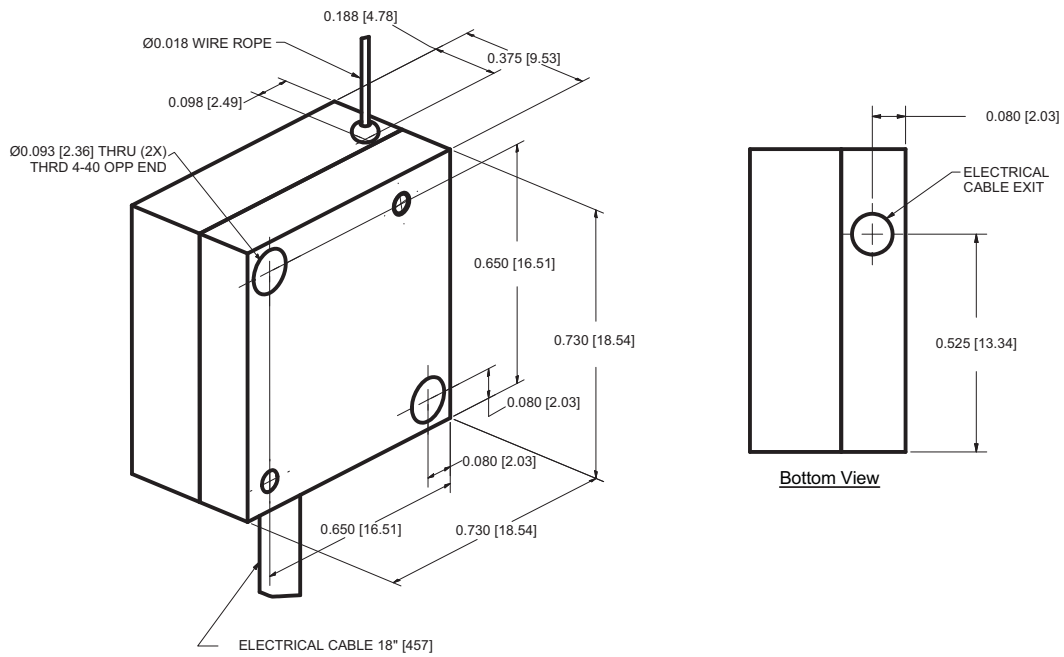
WIRE ROPE CONFIGURATION

- A Eye Fitting, See **FIG A**
 B 24" (600 mm) Leader Wire Rope with Fittings, See **FIG B**



DIMENSIONAL INFORMATION

ID/ZX-PA Series



Dimensions in brackets are millimeters