

9600 SERIES VIDEO DISTRIBUTION SYSTEM

TECHNICAL SPECIFICATIONS

FEATURES

- Multi-channel video processing chassis for Video-over-IP applications
- Support for diverse video formats
 - HD/SD-SDI
 - DVI (Digital & Analog)
 - Composite
- Houses up to 15 Encoder/Decoder modules
- Fully configurable 10/100/1000 network interface module (VHC960)
- Copper or Fiber support via SFP
- Global Bus for IRIG-B Time and Audio via Switch/Controller Module
- 2U 19" Rack-mount Chassis
- 115/240 VAC Operation
 - Optional DC Operation
- Optional +12VDC Aux Power
 - For camera power
- Optional Redundant Power



The 9600 Series Video Distribution System (VDS) is a modular product that provides scalability for video distribution applications. The VDS, and its companion video encoder and decoder modules, are designed to provide a cost-effective solution for encoding, transmitting, and decoding diverse video formats such as those found in ground stations, operations centers, and classrooms. The VDS can support up to 15 channels of encoders and/or decoders and is compatible with other Delta, and competitive, encode/decode products.

The chassis features a Switch/Controller module that provides a single connection for transport stream inputs and outputs, channel configuration, and status. The module uses a Small Form-factor Pluggable (SFP) transceiver to support copper or fiber Ethernet connections. The integrated switch reduces, or saves, the expense of an external switch, while also using less space and power.

A switched 10/100 Ethernet interface is connected to all 15 channels via the backplane to the Switch/Controller module. IRIG-B time is distributed across the backplane to permit time stamping of each encoder channel. Audio can also be distributed from a selected channel and applied to all other encoder channels. The VDS can be configured to provide bussed auxiliary or redundant power.

A division of Delta Information Systems, Inc.

300 Welsh Road, Building 3 • Horsham, PA 19044-2294 • Tel (215) 657-5270 • Fax (215) 657-5273 • www.deltadigitalvideo.com

Questi prodotti sono distribuiti e supportati in Italia da:

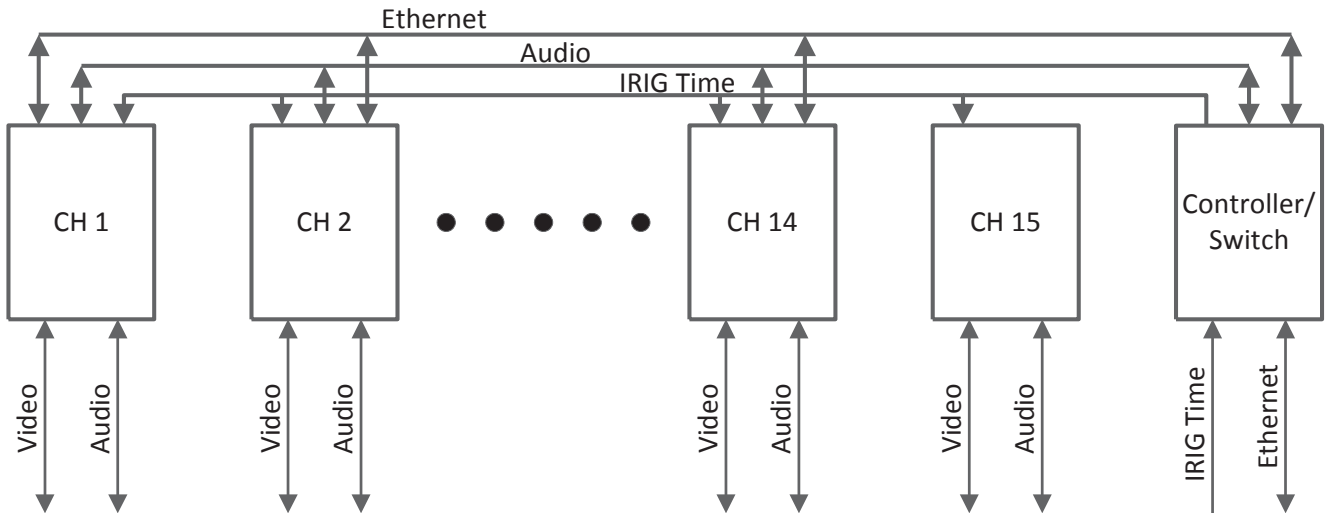
**Instrumentation
Devices** 

Instrumentation Devices Srl

Via Acquanera 29 - 22100 COMO (Italy)

ph +39 031 525 391- fax +39 031 507 984

info@instrumentation.it - www.instrumentation.it



SPECIFICATIONS

SIZE

19" x 10.5" x 3.5" 2U

POWER REQUIREMENT

100-240VAC, 1.5A, 50-60Hz, 440Hz

SLOTS

Encoder/Decoder 15
Switch/Controller 1

POWER CONSUMPTION

Chassis/Switch Module Only
15 Watts
w/ Encoder/Decoder Modules
Add 7 Watts per Channel

LEDs

Power-1, Power-2

OPERATING ENVIRONMENT

Temp (Op) -20°C to +60°C
Temp (Storage) -55°C to +85°C
Humidity 5% - 95% RH, non-condensing

WEIGHT

Single AC Power Supply 9lbs.
Dual AC Power Supply 10.5lbs.



©2015 Delta Information Systems, Inc.
All rights reserved. Revision 090215

A division of Delta Information Systems, Inc.

300 Welsh Road, Building 3 • Horsham, PA 19044-2294 • Tel (215) 657-5270 • Fax (215) 657-5273 • www.deltadigitalvideo.com

Questi prodotti sono distribuiti e supportati in Italia da:



Instrumentation Devices Srl

Via Acquanera 29 - 22100 COMO (Italy)
ph +39 031 525 391- fax +39 031 507 984
info@instrumentation.it - www.instrumentation.it