

GLE/VIDEO-AMP-200

Differential Input Video Signal T-Buffer Module

Applications

- On-board and harsh environments instrumentation.
- Armoured / heavy-duty military and civil vehicles testing.
- Flight Testing / Certification of civil and military aircrafts.



Overview

GLE/VIDEO-AMP-200 is a high performance differential input video-buffer for CVBS signals, useful to create system tapping on main aircraft video system transmission line.

This unit should be installed as close as

possible to the system tapping.

The input impedance can be chosen as, high or 75 Ohm, by an internal surface mount jumper.

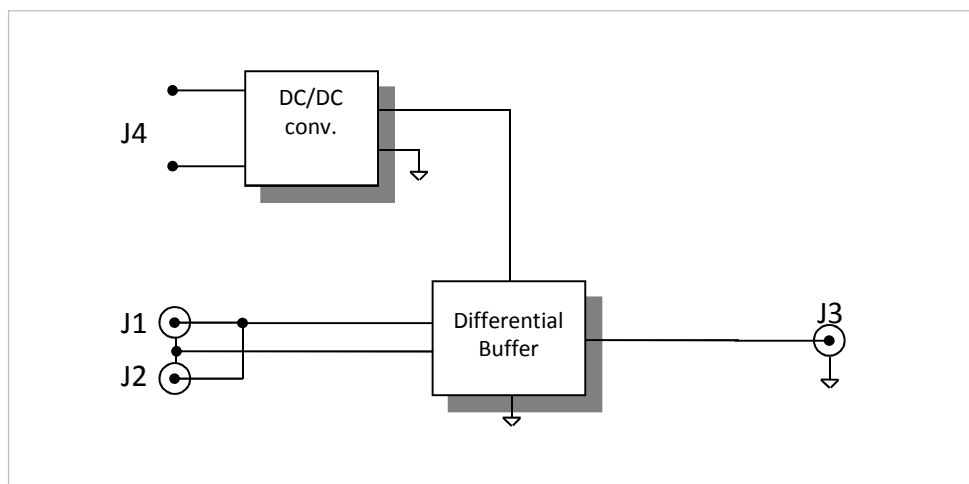
Each unit has two input TNC connectors internally connected together, in order

to be inserted directly in a video line without any interruption or perturbation and one buffered video output isolated TNC connector, with 75 Ohm impedance characteristic.

Technical specifications

Input level	Differential, 1 Vpp nominal; 2.5 Vpp Max
Input impedance	75 Ohm or high (selectable by a solder jumper)
Input common mode	+/- 5 V respect to output GND
Output level	Single ended, 1 Vpp nominal on 75 Ohm; 2.5 Vpp Max
Output impedance	75 Ohm
Bandwidth	> 10 MHz
I/O Connectors	Isolated TNC 75 Ohm
Power Supply	16...35 VDC (40mA max @ 28VDC)
Temperature Range	Operating: -40 ÷ +80°C
Humidity	0 ÷ 95% RH
Altitude	Up to 65000 ft
Shock & Vibration	Certifiable per MIL-STD 810F

Block Diagram



Due to continuous developments, specifications are subject to change without prior notice. This product is not intended for applications whose its failure to perform can be expected to cause damages to properties and/or persons and/or injury to human life.

GreenLake Engineering Srl
 the engineering branch of Instrumentation Devices
 Via Acquanera, 29 - 22100 COMO - Italy
 +39.031.521.076 - info@greenlake-eng.com



Connectors and Pin Assignment

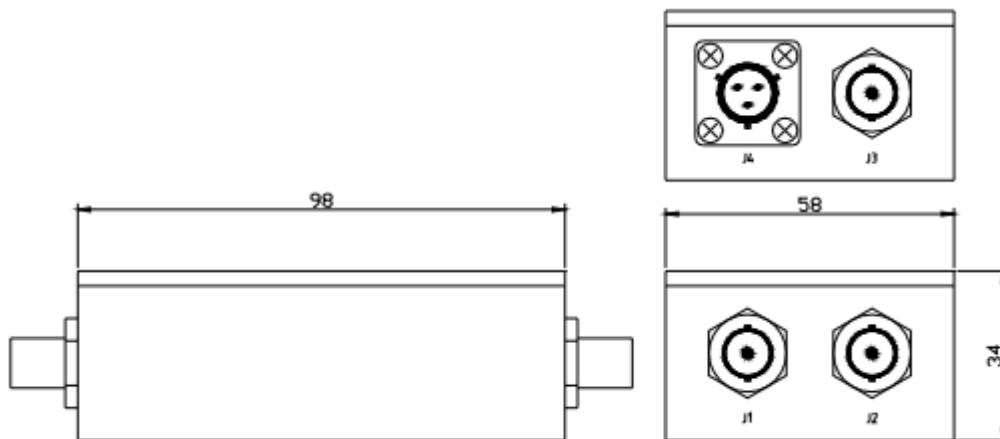
Equipment Connectors type:

Designation	Function	Type	Mating
J1	Video In/Out	TNC 75 Ohm Socket	TNC 75 Ohm Plug
J2	Video In/Out	TNC 75 Ohm Socket	TNC 75 Ohm Plug
J3	Video Buffered Out	TNC 75 Ohm Socket	TNC 75 Ohm Plug
J4	Power	MS3112E8-3P	MS3112E8-3S

Power Supply J4 Pinout:

Pin	Function
A	Supply +V
B	Supply Return
C	Chassis

Mechanical Drawing



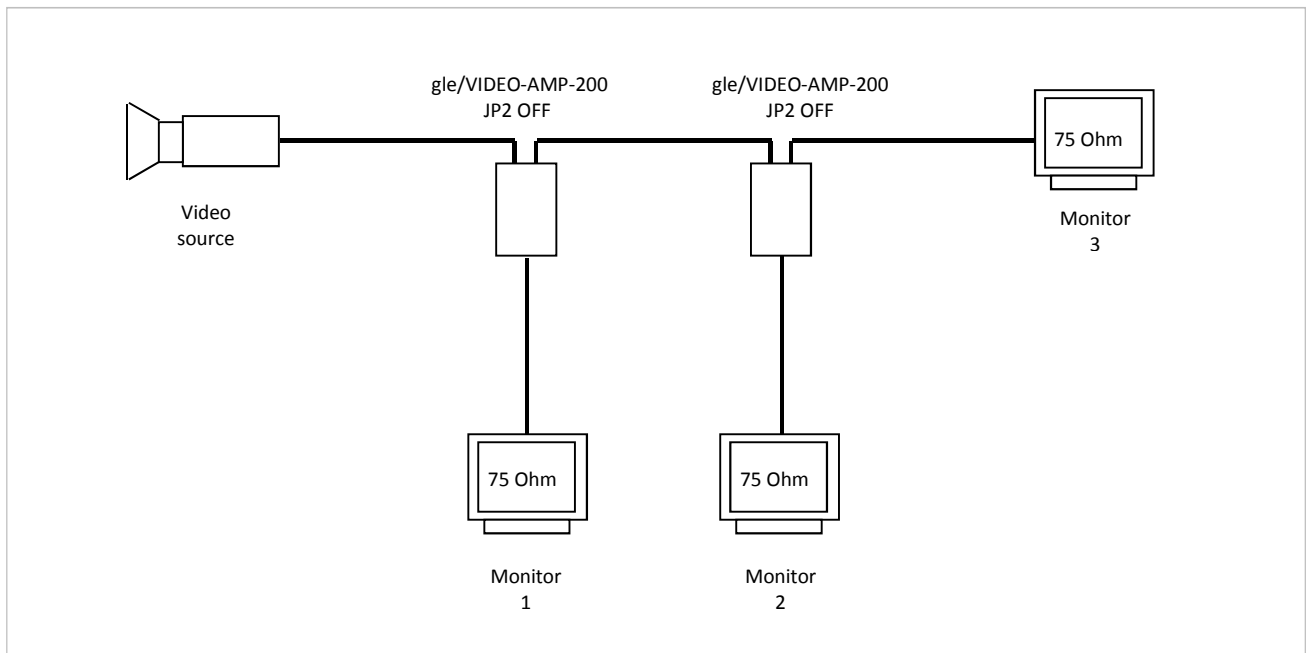
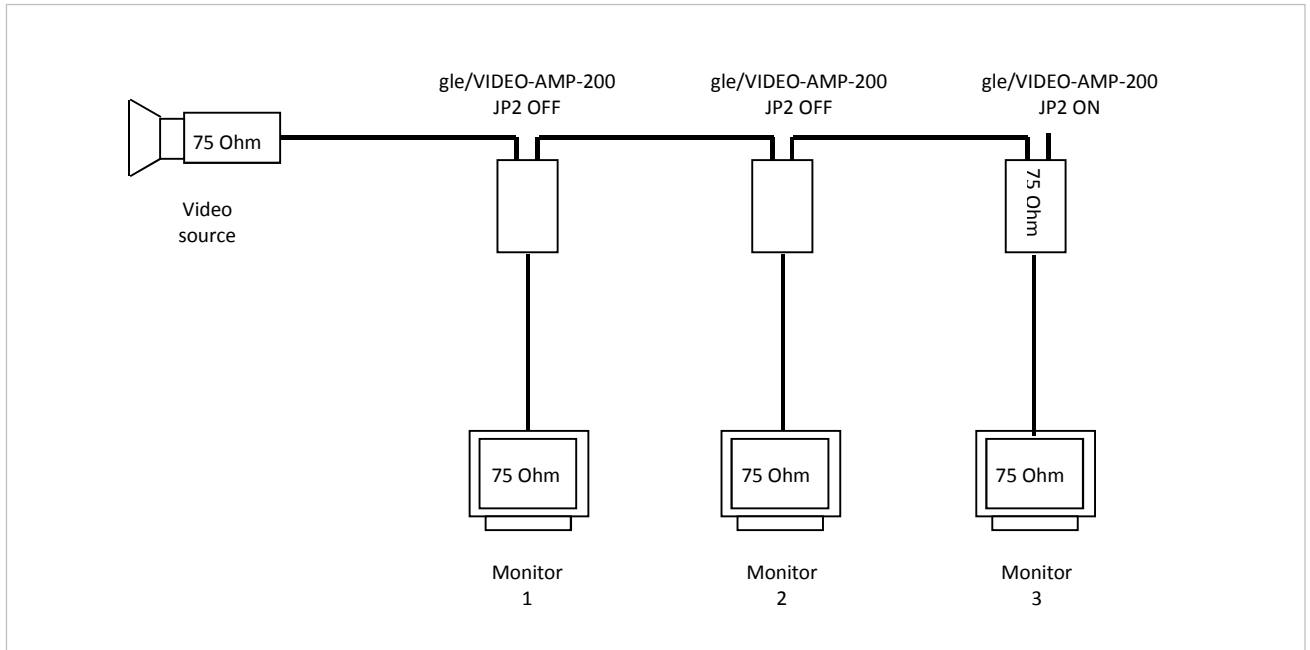
All dimensions are in millimeters

Due to continuous developments, specifications are subject to change without prior notice. This product is not intended for applications whose its failure to perform can be expected to cause damages to properties and/or persons and/or injury to human life.

GreenLake Engineering Srl
 the engineering branch of Instrumentation Devices
 Via Acquanera, 29 - 22100 COMO - Italy
 +39.031.521.076 - info@greenlake-eng.com



Application Note



75 Ohm input terminator

75 Ohm input terminator can be enabled by soldering an internal JP2 jumper:

Due to continuous developments, specifications are subject to change without prior notice. This product is not intended for applications whose its failure to perform can be expected to cause damages to properties and/or persons and/or injury to human life.

GreenLake Engineering Srl
 the engineering branch of Instrumentation Devices
 Via Acquanera, 29 - 22100 COMO - Italy
 +39.031.521.076 - info@greenlake-eng.com

