

FEATURES

- Multi-format scan conversion
- Input/Output resolutions up to 2K x 2K
- Full range of analog and digital inputs and outputs
- Mix and synchronize different video standards
- Optional: Video-over-IP; H.264 Video Compression w/ MPEG-2 compliant TS multiplexing
- Fully configurable network interface
- Front Panel, or command line control (RS-232 or Ethernet)
- 1RU Package
- +10°C to +71°C Operation



The Model VSC/900 provides scan conversion and mixing for any video input signals. The unit's capabilities include conversion of any input to any output format up to 2K x 2K. In addition to operating with VESA, HD and SD signals, the unit provides conversion and mixing of stroke (vector) video signals.

The VSC/900 has an integrated mixer/keyer for combining computer graphics and video. An optional video encoder can be included to provide video-over-IP functionality. This is an H.264 AVC encoder providing an MPEG-2 compliant transport stream over a fully configurable IP network.

The unit is a 1RU package with a front panel control interface. The rear panel provides a full range of analog and digital inputs and outputs including HD-SDI, DVI, composite and vector signals.

A division of Delta Information Systems, Inc.

300 Welsh Road, Building 3 • Horsham, PA 19044-2294 • Tel (215) 657-5270 • Fax (215) 657-5273 • www.delta-info.com/ddv

Questi prodotti sono distribuiti e supportati in Italia da:

**Instrumentation
Devices** 

Instrumentation Devices Srl

Via Acquanera 29 - 22100 COMO (Italy)

ph +39 031 525 391- fax +39 031 507 984

info@instrumentation.it - www.instrumentation.it

UNIVERSAL VIDEO FORMAT CONVERTER

Vector Signal Inputs

X & Y Analog Deflection Inputs (2)

Balanced or Unbalanced, 1 to 30 V p-p, loop-through, Impedance > 7K ohm

Offset range: +/- 50% of input

Signal Inversion

Z Analog Intensity Inputs (4) (red, green, blue, and monochrome)

Balanced or Unbalanced, 0.5 to 20 V p-p, loop-through, Impedance > 7K ohm

Signal Inversion

Z Digital Intensity Inputs (1) (monochrome)

TTL or Differential TTL (RS-422)

Signal Inversion

Stroke/Raster Input

TTL or Differential TTL (RS-422)

Video Signal Inputs and Outputs

Analog, Composite with color burst (CVBS) – BNC Connector (1 in, 1 out)

Analog, RGB or monochrome (Sync on green or separate H & V), or Analog, YPrPb – VGA Connector (1 In, 2x out)

Digital DVI, Single-Link – DVI Connector (1 in, 2x out)

Digital SDI– BNC Connector (1 In, 1 out)

Size: 19"x12"x1.75"

Weight: 6.2 Lbs.

Power: 110 to 240 VAC, 50-400 Hz. 75 W

Video Standards Supported

NTSC PAL

VGA (640x480)

SXGA (1280x1024)

WUXGA (1920x1200)

HDTV 1080P

STANAG(ABC)

SVGA (800x600)

SXGA+ (1400x1050)

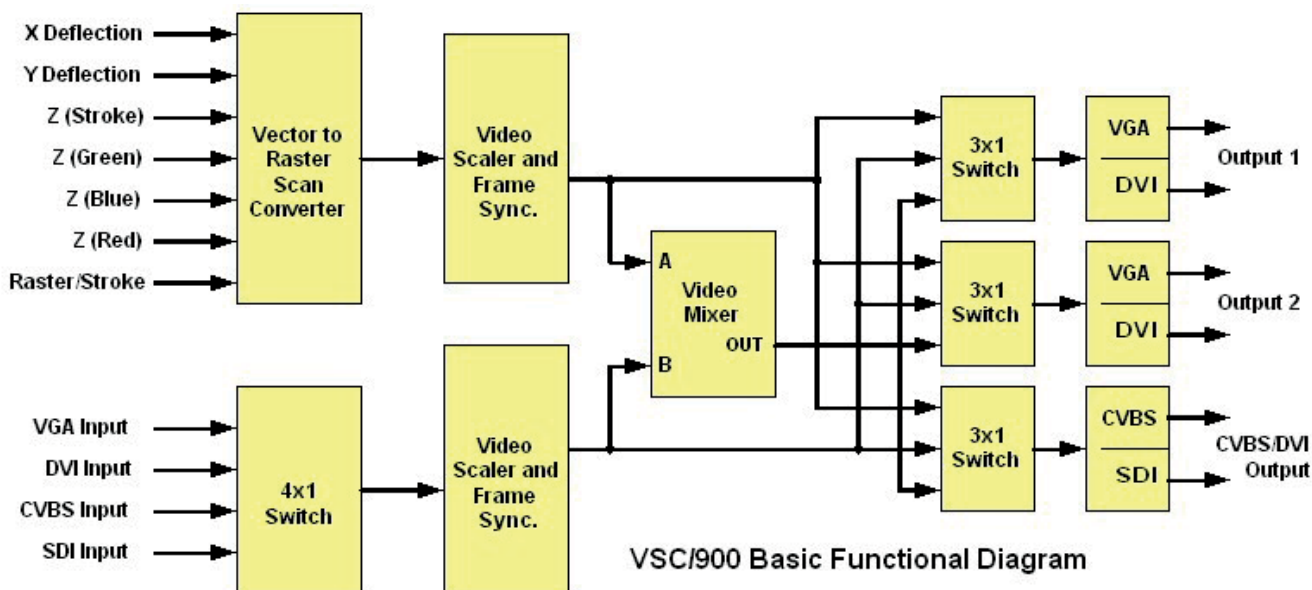
HDTV 720P

RS-343(675,729,875 lines)

XGA (1024x768)

UXGA (1600x1200)

HDTV 1080I



VSC/900 Basic Functional Diagram



©2012 Delta Information Systems, Inc.
All rights reserved. Revision 2815

A division of Delta Information Systems, Inc.

300 Welsh Road, Building 3 • Horsham, PA 19044-2294 • Tel (215) 657-5270 • Fax (215) 657-5273 • www.delta-info.com/ddv

Questi prodotti sono distribuiti e supportati in Italia da:



Instrumentation Devices Srl

Via Acquanera 29 - 22100 COMO (Italy)

ph +39 031 525 391- fax +39 031 507 984

info@instrumentation.it - www.instrumentation.it