



Inductive Displacement Transducer

Integrated electronics

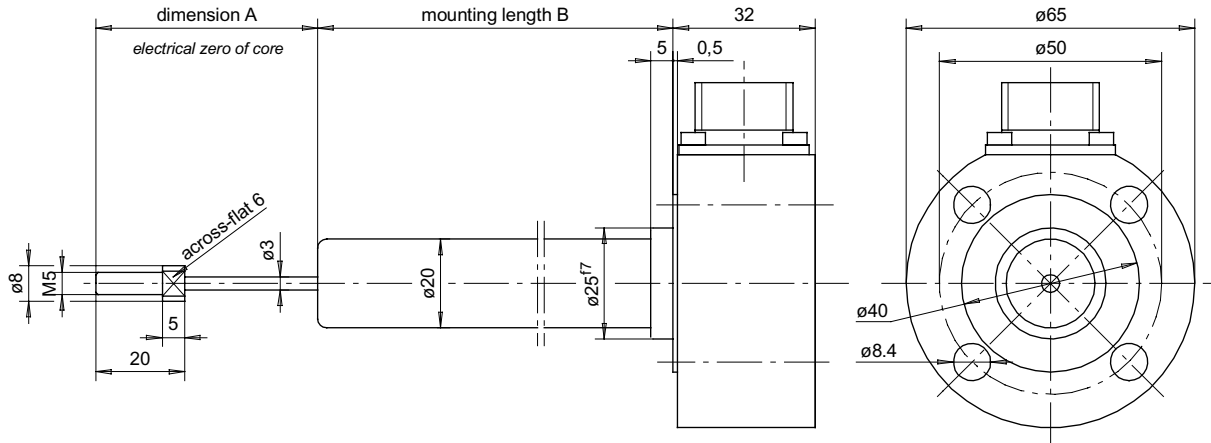
Supply +20...30 VDC

Output 4...20 mA

Pressure resistant up to 320 bar

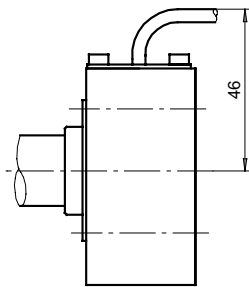
DOI
2-wire-interface

MESSOTRON



radial wire interface

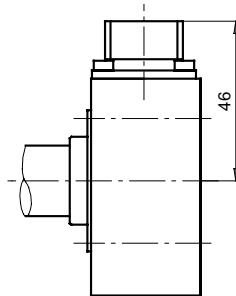
teflon wire 2,5 m long



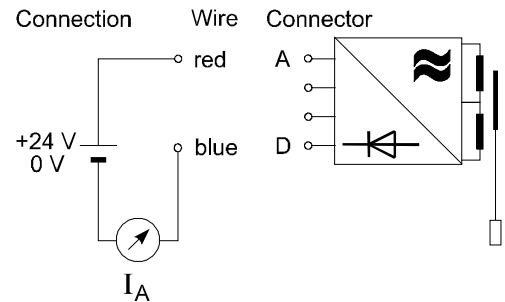
Example: DOI 100 Q 0,5%

radial connector interface

mating connector supplied



Example: DOI 100 R 0,25%



		DOI 25	DOI 50	DOI 100	DOI 150	DOI 200	DOI 250	DOI 300
Electrical stroke	mm	±12,5	±25	±50	±75	±100	±125	±150
Max. mechanical stroke	mm	30	55	105	160	210	260	320
Dimension A	mm	40	55	80	105	130	155	180
Mounting length B	mm	60	100	140	220	300	380	480
Transducer weight	g	1000	1050	1100	1200	1350	1450	1600
Core weight	g	12	14	16	20	25	28	30
Supply	20 ... 30 V / 40 mA, stabilized							
Output signal	4 ... 20 mA							
Allowable load	max. 400 Ohm							
Static resolution	virtually infinite							
Cut-off frequency	100 Hz							
Linearity *)	±0.5% F.S.O. option: ±0.25%							
Temperature coefficient of zero	±0.1% / 10K							
Temperature coefficient of span	±0.2% / 10K							
Pressure resistance	operation pressure 320 bar, test pressure 450 bar							
Operational temperature	0°C ... +60°C							
Protection class (DIN 40050)	IP 65							

*) select option when ordering

	DOI Series 25 ... 1000 mm	Drawing 58.24.00 Page 1
		Date 07/99

Inductive Displacement Transducer

Integrated electronics

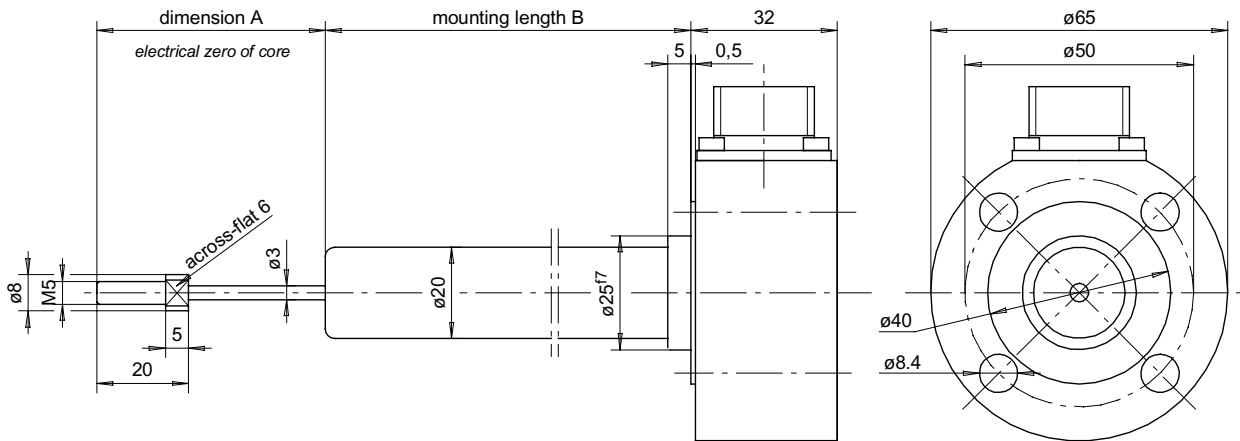
Supply +20...30 VDC

Output 4...20 mA

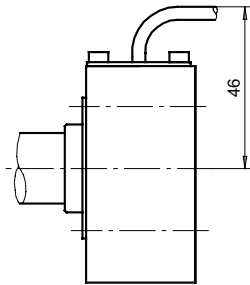
Pressure resistant up to 320 bar

DOI
2-wire-interface

MESSOTRON

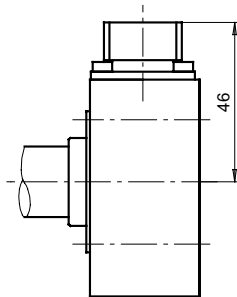


radial wire interface
teflon wire 2.5 m long

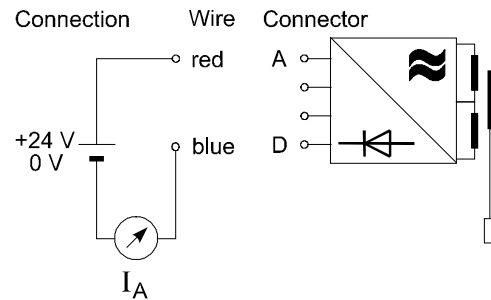


Example: DOI 500 Q 0,5%

radial connector interface
mating connector supplied



Example: DOI 500 R 0,25%



	DOI 400	DOI 500	DOI 600	DOI 800	DOI 1000
Electrical stroke	mm ±200	mm ±250	mm ±300	mm ±400	mm ±500
Max. mechanical stroke	mm 420	mm 520	mm 630	mm 830	mm 1030
Dimension A	mm 230	mm 280	mm 340	mm 440	mm 540
Mounting length B	mm 600	mm 730	mm 860	mm 1120	mm 1400
Transducer weight	g 1800	g 2000	g 2200	g 2600	g 3000
Core weight	g 35	g 40	g 50	g 65	g 80
Supply	20 ... 30 V / 40 mA, stabilized				
Output signal	4 ... 20 mA				
Allowable load	max. 400 Ohm				
Static resolution	virtually infinite				
Cut-off frequency	100 Hz				
Linearity *)	±0.5% F.S.O. option: ±0.25%				
Temperature coefficient of zero	±0.1% / 10K				
Temperature coefficient of span	±0.2% / 10K				
Pressure resistance	operation pressure 320 bar, test pressure 450 bar				
Operational temperature	0°C ... +60°C				
Protection class (DIN 40050)	IP 65				

*) select option when ordering

<p>DOI Series 25 ... 1000 mm</p>	<p>Drawing 58.24.00 Page2</p>
	<p>Date 07/99</p>

Design of transducers can be customised

Subject to alteration
09/99



www.instrumentation.it

INSTRUMENTATION DEVICES SRL

Via Acquanera 29, 22100 COMO (Italy) tel. +39.031.525391 - fax +39.031.507984 - info@instrumentation.it