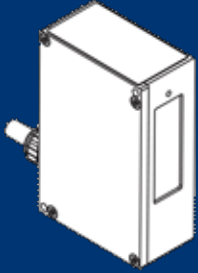




## AR700



- COMPACT FOOTPRINT
- FASTEST SAMPLING
- VERSATILE OUTPUTS
- SHARP RESOLUTION

The AR700 laser distance gauge has the highest precision of any Acuity model. The series includes a dozen models spanning from 3.175 mm to 1.27 m. All models boast rapid frequency responses and include multiple serial and analog interfaces.

### Small Footprint

The AR700 series uses several case sizes to achieve the smallest footprint while maintaining performance specifications. The shortest-range AR700 models are smaller than the palm of your hand!

### Fast Sampling Rates

At 9400 Hz, the AR700 is one of the fastest digital triangulation sensors on the market. Because the sensor is designed to have great sensitivity to changes in return signal, it is not necessary to average multiple distance samples to get a reliable distance reading.

### Versatile Outputs

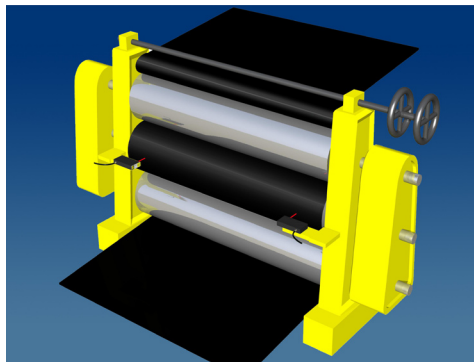
Integrators of the Acuity laser distance gauge can easily interface the model through RS232, RS422, 0-10V and 4-20 mA outputs. The instrument also has external hardware triggers to sample on command and alarm outputs for QC process feedback.

## AR700 Applications

### Road profiling



### Calendared rubber



### Tire profiling

